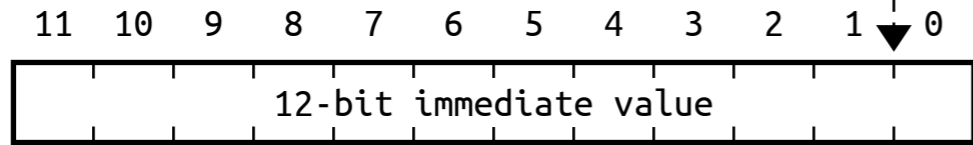
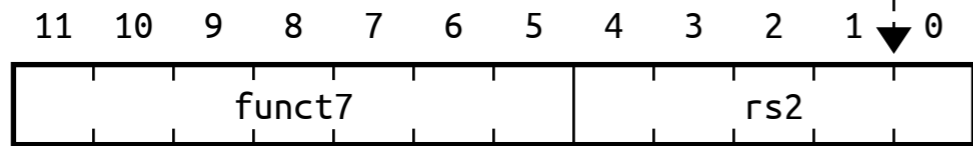


operation

- 000 = add / sub
- 001 = sl
- 100 = xor
- 101 = sr
- 110 = or
- 111 = and



signed number



function modifier

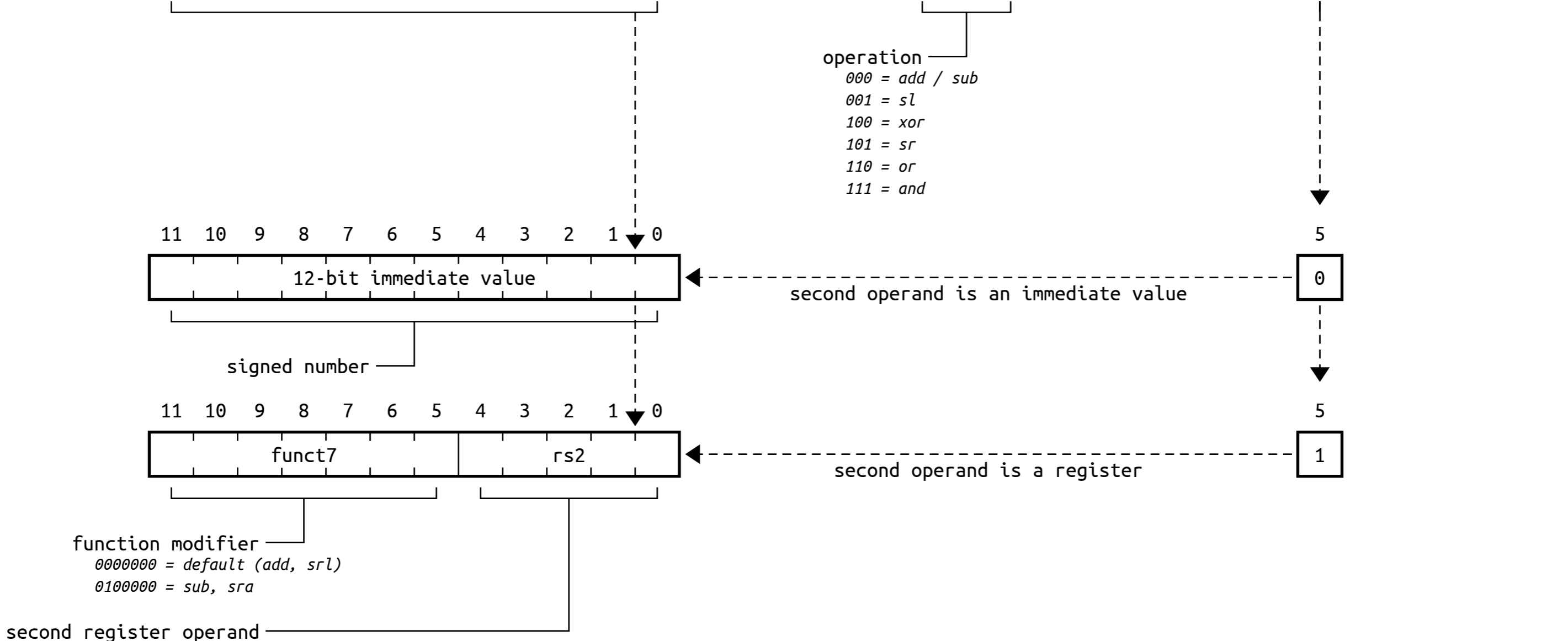
- 0000000 = default (add, srl)
- 0100000 = sub, sra

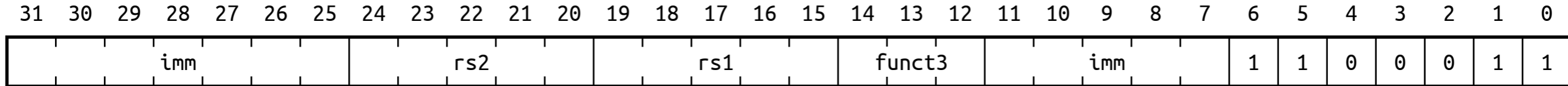
second register operand



second operand is an immediate value

second operand is a register





function modifier
000 = if equal
001 = if not equal
100 = if less
101 = if greater or equal

