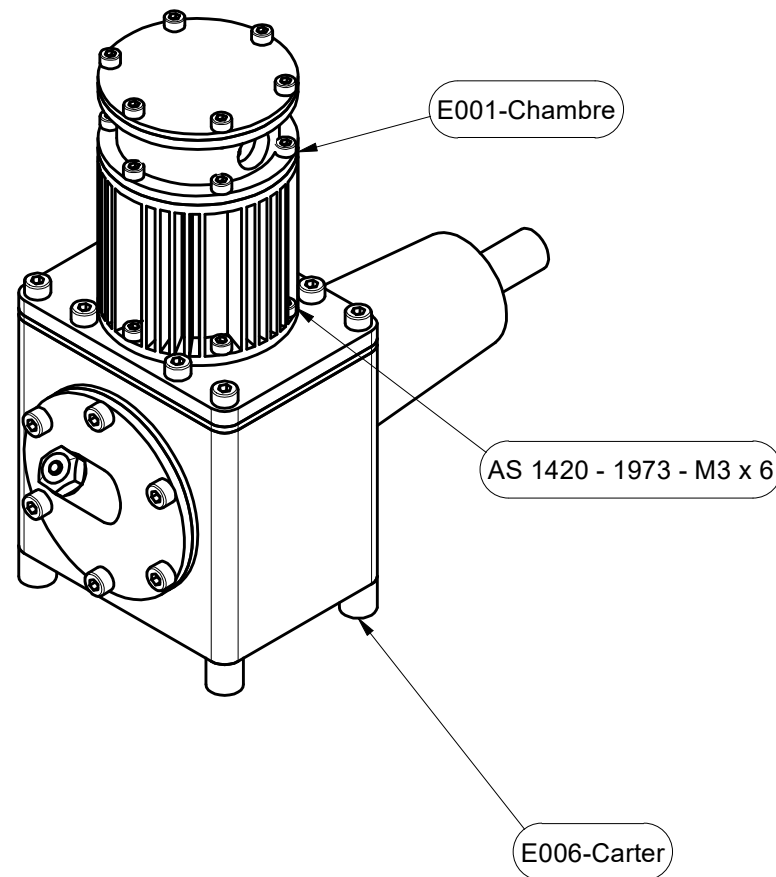
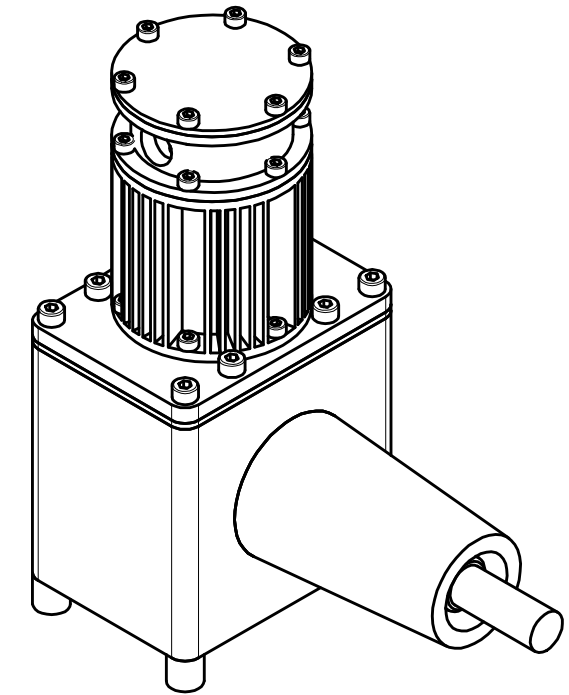
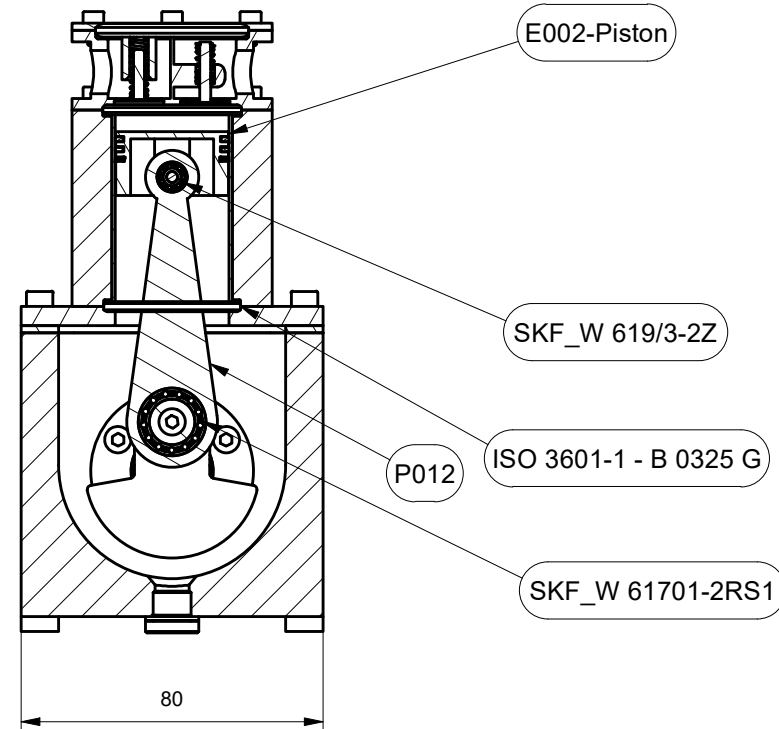
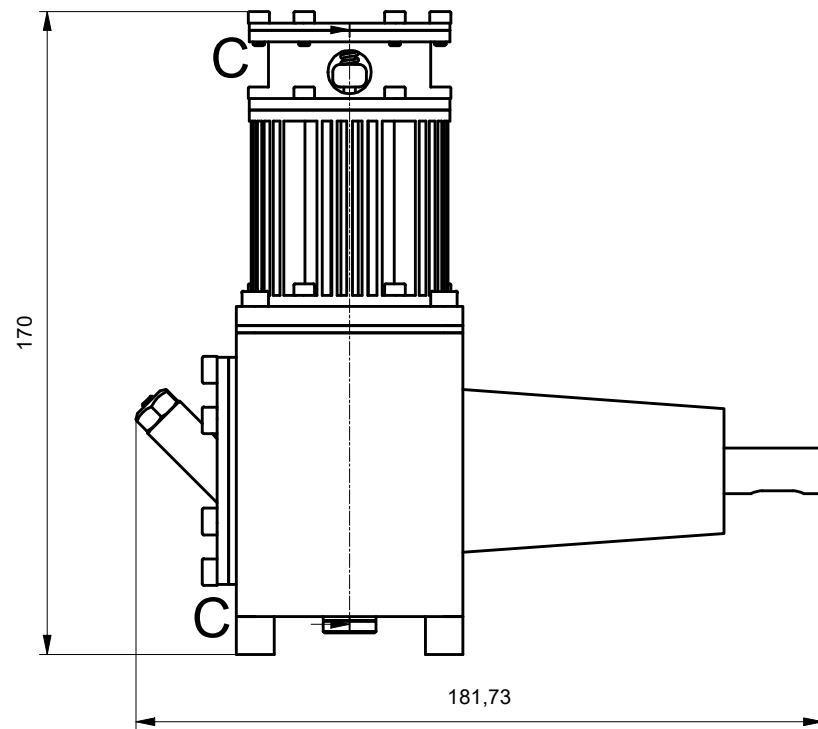


# C-C (1:2)



|                         |                          |   |             |   |
|-------------------------|--------------------------|---|-------------|---|
| AS 1420 - 1973 - M3 x 6 | Vis                      | 6 | Steel, Mild | ISO metric hexagon socket head cap screws |
| ISO 3601-1 - B 0325 G   | Joint O'ring Viton (FKM) | 1 | Rubber      | Fluid power systems - O-ring              |
| SKF_W 619/3-2Z          | SKF_W 619/3-2Z           | 1 |             | BB1_001_101-Deep groove ball bearings     |
| SKF_W 61701-2RS1        | SKF_W 61701-2RS1         | 1 |             | BB1_001_101-Deep groove ball bearings     |
| P012                    | Bielle                   | 1 | Iron, Gray  |   |
| E006-Carter             | Carter                   | 1 |             |   |
| E002-Piston             | Piston                   | 1 |             |   |
| E001-Chambre            | Chambre                  | 1 |             |   |

|                       |  |                                      |            |                   |                              |  |
|-----------------------|--|--------------------------------------|------------|-------------------|------------------------------|--|
| No./Num.              |  | E000-Compresseur                     |            |                   | No. de Projet/Projektnummer: |  |
| Titre/Titel           |  | Dessiné/<br>Gezeichnet               | HER<br>ZAE | 12.06.2022        | Echelle/Masstab<br>1 : 2     |  |
| Sous-titre/Untertitel |  | Contrôlé/<br>Geprüft                 |            |                   | Feuille/Blatt<br>1/1         |  |
|                       |  | Révision/<br>Änderung                |            | 17.06.2022        |                              |  |
|                       |  | Refer to protection notice ISO-16016 |            | Matière/Rohstoff: |                              |  |
| Masse<br>Gewicht      |  | 1292,976 g                           |            |                   |                              |  |
|                       |  |                                      |            | A3                |                              |  |